

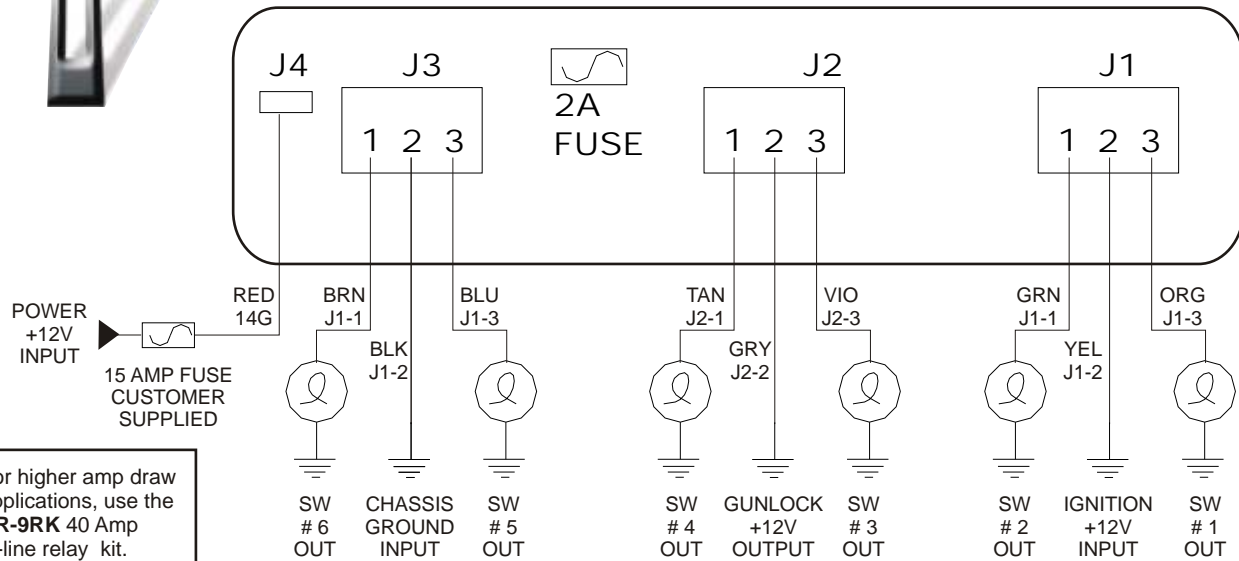
BROOKING INDUSTRIES, INC.

10132 NW 53rd St.
Sunrise, FL 33351

P 888-439-1925 or 954-572-0510
F 877-363-7301 or 954-578-6007

Smart Panel Installation and Test

Panel Back Inside View



Smart Panel Installation and Test

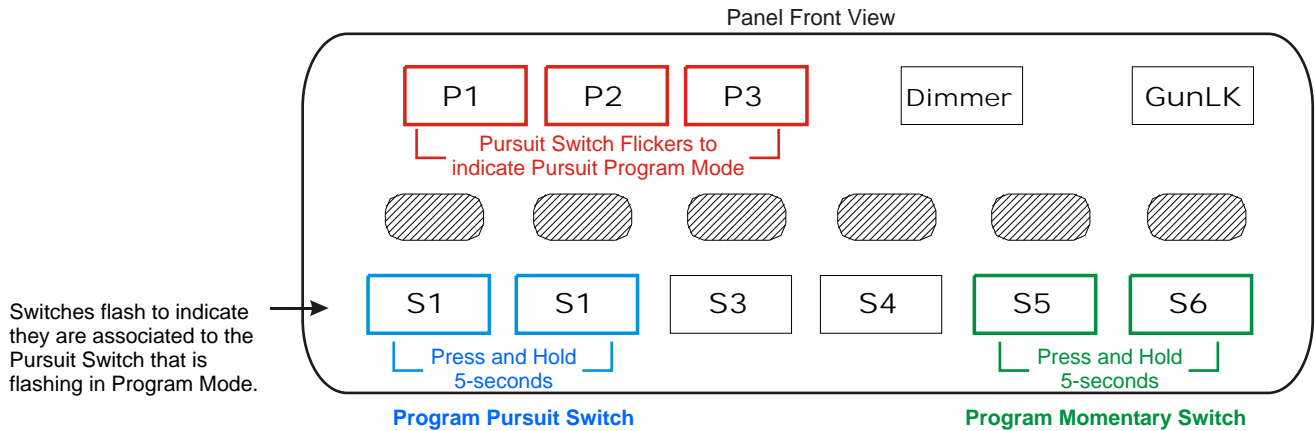
1. Install J4-1 Power wire. Protect the circuit with a 15 Amp fuse (not supplied).
2. Install J1-2 to an ignition +12v circuit, 100mA input.
3. Install J3-2 Chassis Ground wire.
4. Install all of the outputs 1 through 6 to the various light bar outputs and other lights.
5. Test installation of each light by pressing corresponding switch on Smart Panel.

Auto - Walk - About Test

This test automatically turns each output (1 - 6) ON and OFF at a 5-second interval. The test runs For 120-seconds and can be exited at anytime by pressing any pursuit switch.

BR993 Operation

1. Press any switch one (1) time to turn it On and press again to turn it OFF.
 2. Press any Pursuit switch
Switch back light turns ON and all associated standard switches turn ON.
 3. Press gunlock switch
A momentary signal is sent to the gunlock controller units as long as button is pressed.
 4. Dimmer Switch (Bright, Medium, Low & Off)
The brightness level can be changed at any time by pressing dimmer switch to sequence through the levels
Brightness level will remain until panel is powered OFF and will return to default when powered ON
To save the chosen brightness level as default, select level then press and hold dimmer switch for 5-seconds
 5. Circuit Protection
Each standard switch output is protected by an electronic smart switch.
Any time an over voltage or over temperature condition occurs, the output shuts OFF until condition is corrected
Once problem is corrected, function will automatically turn back ON.
- Notes:
- There is no status indicator for an over voltage or over temperature condition.
 - The power wire must be fused near battery at 15 Amps
 - The logic circuit is internally protected by a 2 Amp fuse



Program Momentary Switch Option

All switches can be set as momentary
 Switch 6 can be set as a timed output of 1 - 25 seconds.

Special Note: Standard Switches may be programmed as Momentary ONLY when NO association exists with a Pursuit Switch. Pursuit association cancels the Momentary function.

To Enter Momentary Program Mode:

1. Press and hold switches 5 and 6 for 5-seconds.
 All back lights will blink ON and OFF twice
 Pursuit switch 3 will start to flicker-flash
2. Press the switch that you want to program as momentary one (1) time.
 Switch will flash
3. To exit program mode, press the Pursuit switch that is flashing a second (2nd) time
 All of the switch LEDs will execute a chase pattern as program mode exits

To Program Switch 6 as Timed Momentary (can be performed at same time as steps above):

1. Repeat Step 1 above
2. Press and hold Switch 6 for as long as you want the timer to run during operation.
3. Repeat Step 3 above

Program Pursuit Switches

All of the Standard switches 1 through 6 can be associated with any of the Pursuit switches. Thus, when in normal operation, when that particular Pursuit switch is activated, all of the associated Standard switch functions will turn ON.

Special Note: Standard Switches may be programmed as Momentary ONLY when NO association exists with a Pursuit Switch. Pursuit association cancels the Momentary function.

To Enter Program Mode:

1. Press and hold switches 1(S1) and 2(S2) for 5-seconds.
 All back lights will blink ON and OFF
 Pursuit switch 1(P1) will start to flash
2. Press all switches(S1 - S6) you want to associate with Pursuit Switch 1(P1)
 Selected switch will flash, indicating it has been associated with the Pursuit switch
 *Any number and combination of Standard switches may be associated with each Pursuit switch
3. Repeat step 2 and press Pursuit switch 2(P2)
4. Repeat step 2 and press Pursuit switch 3(P3)
5. To exit program mode, press the Pursuit switch that is flashing a second (2nd) time
 All of the switch LEDs will execute a chase pattern as program mode exits